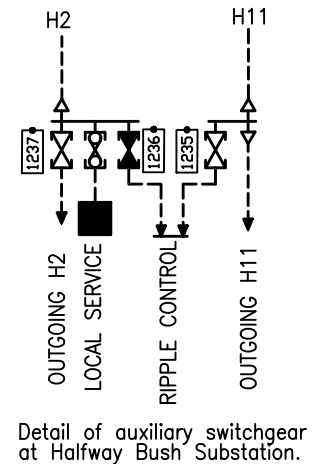


Note :- D.D.O. beyond intersection of
Taieri Rd and Dean St.

SW 2763
SW 9996
L.B.



REVISION	M	N	O	P	Q	R	S		J	K	L	DRAWN	G D	04/79
COMP. NO	CFR 2789	-	-	CFR 11960	CFR 11960	CFR 13074	-		5519	5570	6600	TRACED	T J A	05/06
DATE	05/06	05/19	07/19	07/22	11/23	12/24	06/25		08/88	10/88	08/90	CHECKED		
CHECKED		CS	CS	NWH	MB	DCH	DCH		J G	J G	J G	DES.ENG		



HALFWAY BUSH No11 6.6kV FEEDER

DATE ISSUED
16/06/25

PAGE
**HB
11**